

## RC-550

Remote control vhf for airports lighting

### Description:

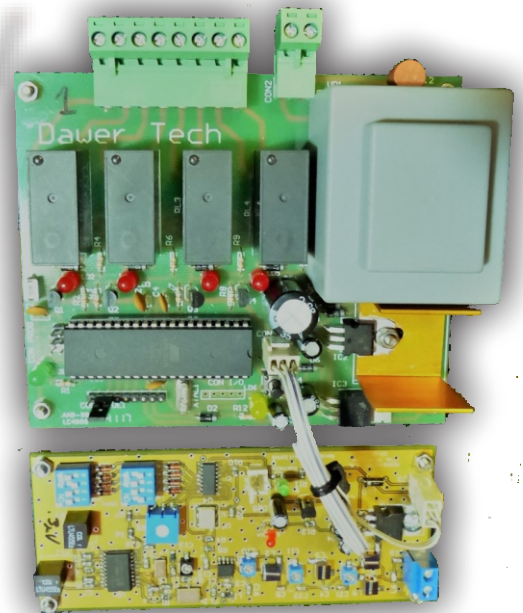
The RC-550 module (in base a FAA L-854) allows pilots to control airfield lighting with a series of 3, 5 or 7 microphone clicks in a 5-second period.

An integrated selectable timer shuts airfield lights off after 10, 15, or 30 minutes of illumination



### Especificaciones tecnicas:

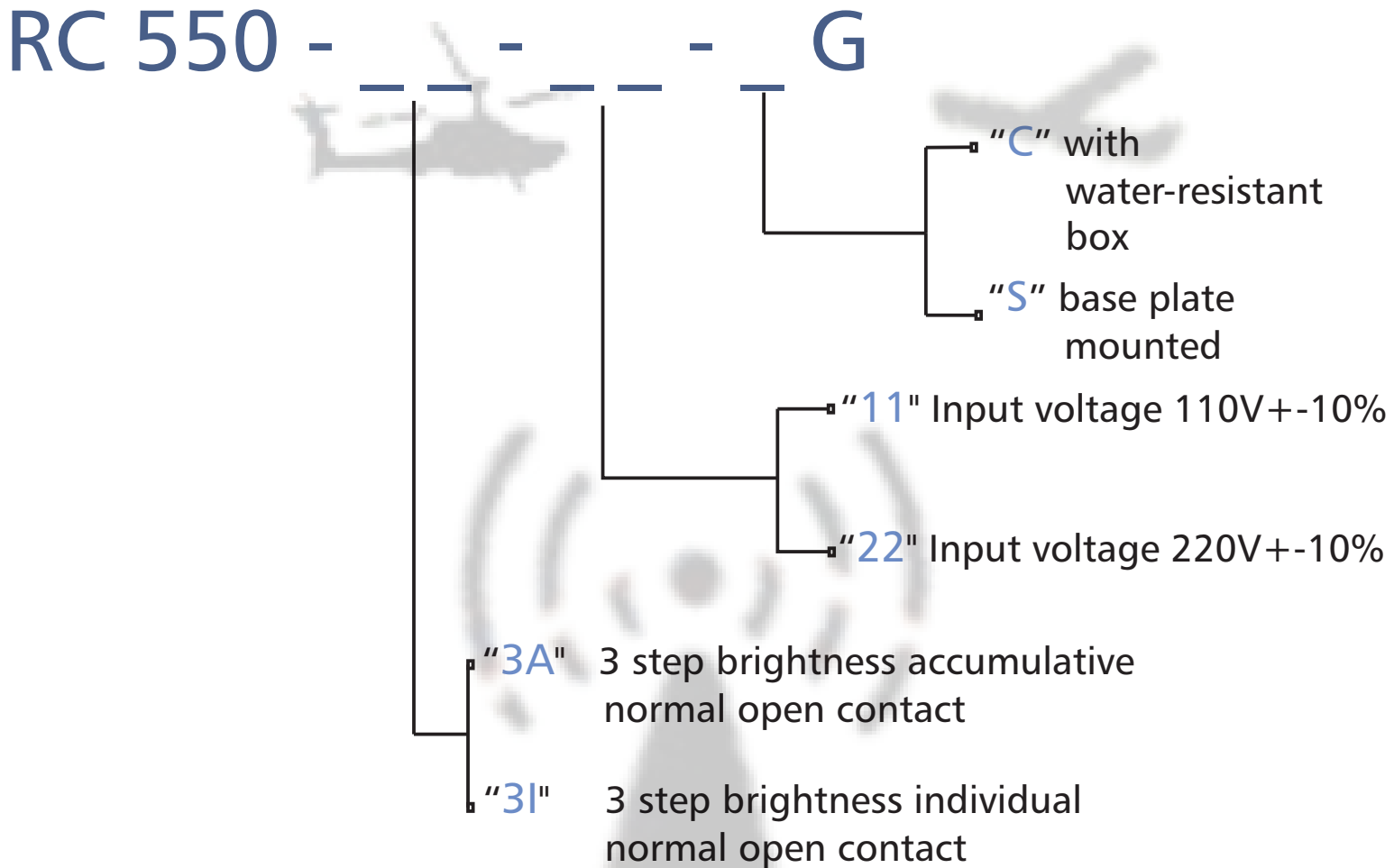
- Operates in air-band vhf band from 126 to 132,375 Mhz, frequency can be selected every 0.250Mhz
- Voltage input: 220Vac+- 10% o 110Vac +- 10%, can be selected
- Output: Contact normal open x 4, 10A 240Vac
- Minimun range 15 miles
- Sensivility 3uV
- Antenna and 5mts of coaxial cable are included.
- Metalic box with coating electroestatic poliester (optional)



## RC-550

Remote control vhf for airports lighting

### ORDERING INFORMATION RC-550:



for example: RC 550-3A-22-SG

The RC-550 is activated with a combination of pulses of the PTT button of the VHF transmitter of the aircraft.

-Minimum range of 15 miles.

-The System have a 4 relays for activation of the lighting system.